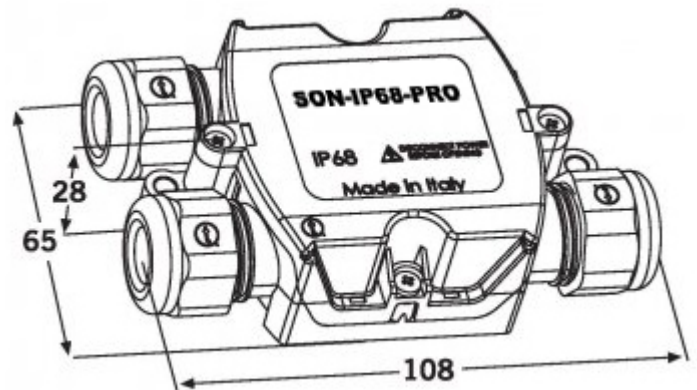


## IP68 Cable Quick Connect Jointing Box Installation Guide

### SON-IP68-PRO

Due to weather and seasonal conditions in the UK and Europe, external loudspeaker systems should be connected using an **IP68** rated junction box rather than IP65/IP66/IP67 or wire nuts, to avoid the risk of water ingress and equipment damage.

The SON-IP68-PRO kit is an IP68 rated Junction Box with three 7mm to 14mm cable entries and includes cable glands for circular cable entry/exit, plus slotted and shotgun glands for shotgun/flat speaker cable. It is ideal for the installation of external speaker systems because both left and right signals can be sent through a suitable four-core cable and teed off at each box to left or right speaker channels appropriately.



The SON-IP68-PRO junction box has a wide operating temperature range of  $-40^{\circ}\text{C}$  to  $+125^{\circ}\text{C}$  and is resistant to water ingress, even when entirely submerged.

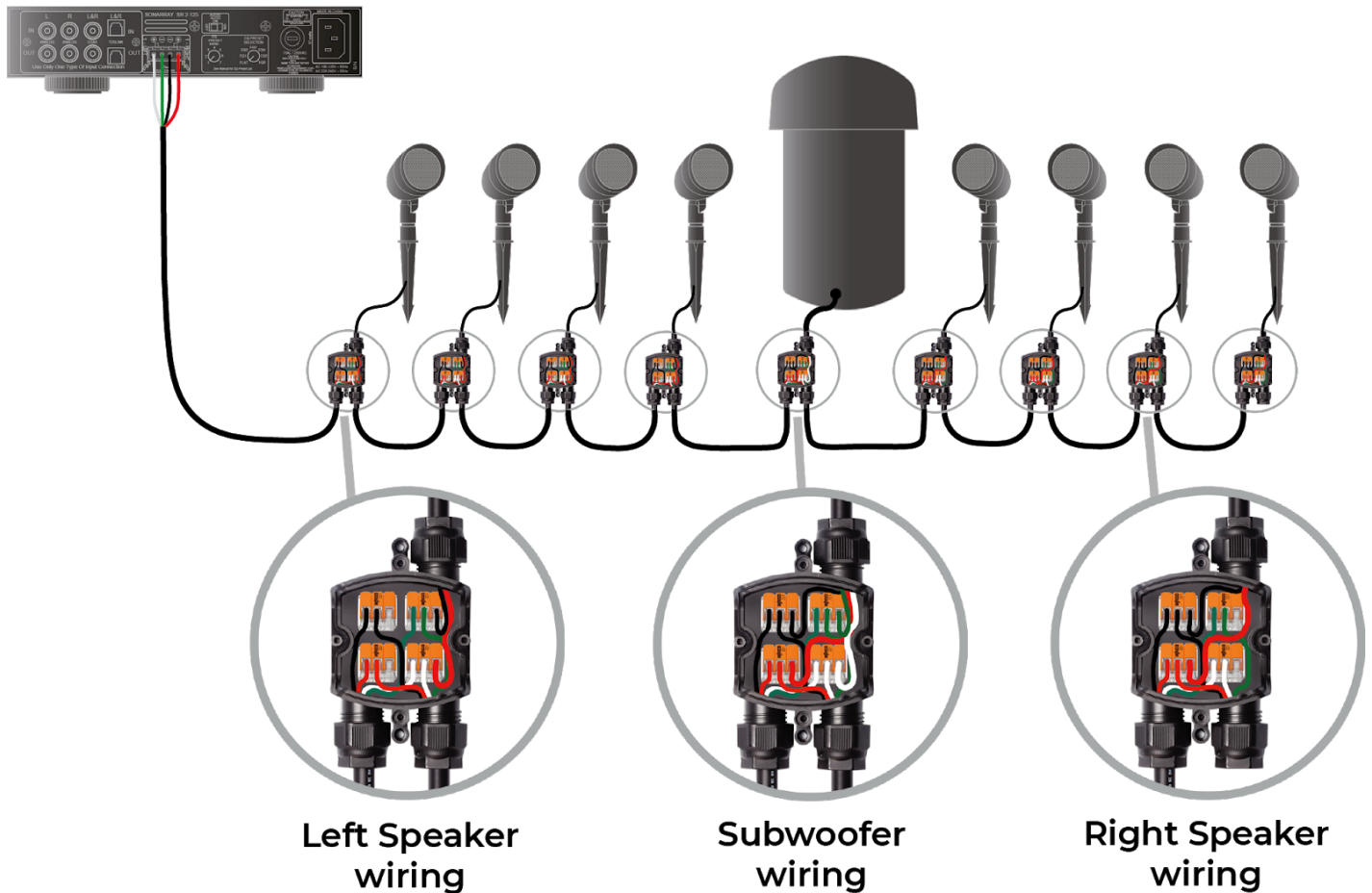
The four internal Wago® 221 compact splicing connectors in the kit provide quick rewirable series or parallel connection of 24 - 12 AWG wires for stereo or mono applications. There is plenty of spare space inside the box for additional connections if necessary.

## Installation

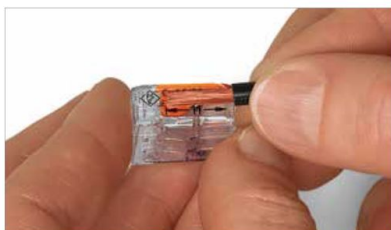
Recommended installation guidelines are to run a four core cable from the equipment location. Use cable that is suitable for wide temperatures and ground burial. Use ducts to protect the cable in the ground. The SON-IP68-PRO box has mounting points to secure it to a wall or post, and it should ideally be installed 15cm above soil or water.

# Wiring

Follow the diagram below to wire left and right speakers and subwoofers to the amplifier output. Use a suitable blanking plug to terminate the final speaker point.



## Using the Wago 221-3 Connectors



Strip conductor to 11mm - refer to strip length guide printed on side of connector



Lift lever to open clamping unit; insert stripped conductor



Lower the lever to close the clamping unit